

# MEDIUM PRESSURE 3 LAYER FLEXIBLE STEEL PIPE

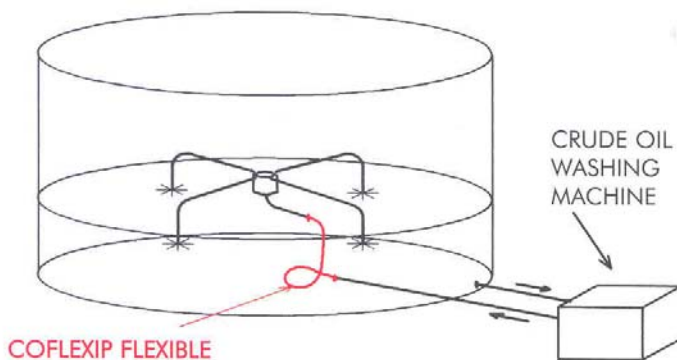


Following the Industry's constant requirement for innovative and better performing products, COFLEXIP has developed a new flexible for in-tank applications which has a number of advantages over previous designs, thus giving more possibilities to the tank designers and users.

This structure is particularly suitable for applications where high pressures and flowrates are necessary. Typical applications are Foam Systems and Drain Pipes combined with Crude Oil Washing Systems in one multi purpose flexible.

## Advantages of the Three Layer Flexible

- **Working pressure:**  
150 psig thus compatible with COWS\* type of tank cleaning.
- **Flowrate**  
The already good flowrate of the COFLEXIP configuration can be improved by as much as 14% with the 3 layers.
- **Durability / Reliability**  
Inner & outer layers provide double sealing.
- **Resistance to wear and tear**  
Both inside and outside.



**CRUDE OIL WASHING SYSTEM**

COWS*/FOAM LINE	
I.D. (inches / mm)	6" / 152.4
O.D. (inches / mm)	7.18" / 182.4
Nb. of layers	3
MBR (feet / m)	3.89 / 1.19
Lbs per ft.	11.8
Kg per m	17.55
S.G. in sea water	0.66
WP (psi / bar)	150 / 10.3

\* COWS : Crude Oil Washing System